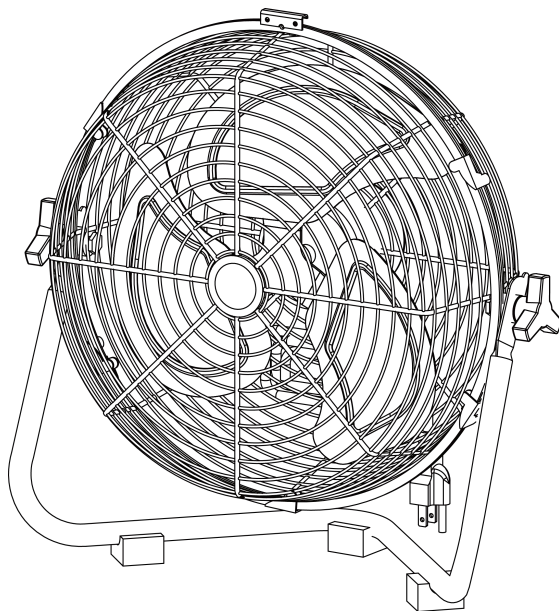




20" HIGH VELOCITY AIR CIRCULATOR



Model: ILG8F21

OWNER'S MANUAL
PLEASE READ AND SAVE

THESE INSTRUCTIONS

Read Instruction manual carefully before assembling or installing your fan. It is important that you observe all safety information to help prevent personal injury and/or property damage.

20" HIGH VELOCITY AIR CIRCULATOR

MODEL NO. : ILG8F21

Voltage Rating: 120VAC 60Hz

Power: 225W

CAUTION: Read and follow all instructions before operating fan. Do not use fan if any part is damaged or missing.

WARNING: To reduce the risk of fire or electrical shock, DO NOT use this fan with any solid state speed control device. This appliance has a 3-prong grounded plug that must be inserted into a matching outlet. To reduce the risk of electrical shock, this grounding plug must not be removed from the plug. Where a two-prong wall outlet is encountered, it must be replaced: contact a qualified electrician. DO NOT attempt to remove this safety feature. Use your fan only with adequate wiring that is up to Code. Connect to properly grounded outlets only.

INSTRUCTIONS FOR SAFE OPERATIONS

- Never insert fingers or any other objects through the grill guard when fan is in operation.
- Unplug the fan when moving from one location to another.
- Unplug the fan when removing guards for cleaning.
- Do not use fan with an extension cord.
- Do not place fan or any parts near an open flame, cooking or other heating appliance.

- Make sure the fan is on a stable, flat surface when in operation.
- Do not use the fan near windows. Rain and moisture may create electrical hazard.
- Close supervision is necessary when this unit is used when children are around.

OPERATING INSTRUCTIONS:

1. Set fan on a dry, stable and flat surface.
2. Connect power plug to any standard 120-volt AC outlet.
Caution: Make sure the Speed Control is in the OFF position.
3. Change the setting on the speed control to the desired operating speed --- OFF"0", LOW"1", MEDIUM"2" or HIGH"3".
4. To change the tilt -angle of the Fan Head, loosen the Tilt Adjustment Knob on the side of the Grille, tilt the Fan Head to the desired angle and tighten the knob. The knobs on both sides are tools for tilt adjustment.

Note: It is normal for the motor to feel warm to the touch during operation. The motor is thermally protected and will automatically shut off when it overheats for any reason. If this happens, immediately disconnect the fan from the power outlet. The motor bearings are permanently lubricated at the factory and do not require any additional lubrication.

CLEANING

WARNING: Unplug from fan from the wall outlet before cleaning. After cleaning, any safety device (including grills and blades) must be reinstalled or remounted as previously installed.

Use soft damp cloth then wipe with dry cloth. Do not use harmful cleaners. Do not bend the blades.

Wash guards and blades with water and a soft brush. Avoid harsh

chemical cleaners. DO NOT IMMERSER MOTOR IN WATER. Allow fan to dry completely before use.

WARNING

This appliance is not intended for use by persons (including children) with reduced physical, sensory or mental capabilities, or lack of experience and knowledge, unless they have been given supervision or instruction concerning use of the appliance by a person responsible for their safety.

WARRANTY

This fan comes with a ONE-YEAR LIMITED COMPONENT WARRANTY. If your fan does not appear to be working properly, please contact our service center by calling 1-800-317-1688. Prior to your call, we encourage you to visit our website www.ilivingusa.com for troubleshooting tips and service instructions if needed.

Warranty Information

Register your product at our website:



Or visit iLivingUSA.com/register-product

Feedback

Love it? Help us make the product more for you.



Let us know with a customer review.

Please visit: <https://www.amazon.com/review/review-your-purchases#>

At iLiving USA, we are committed to bringing top quality products to our customers.

iLIVING USA
860 Mahler Road,
Burlingame, CA 94010
Tel: 1-800-317-1688
Email: service@ilivingusa.com



Like us on Facebook: <https://www.facebook.com/ilivingusa/>



Follow us on Twitter: @iLIVINGUSA

Check out our website: www.ilivingusa.com